



## Description

Azimut-KAMUT2LII is the ultimate system to respond to our clients needs of every kind. Composed of two brand new 10-cm-long Lizard-KZ14 I, an ultra-compact Rumble-KU44 I a 14x14x2 Kommander-KA02 I amplifier and a small remote control, this Azimut is a complete audio solution in a miniature package.

In addition to balancing analog inputs and fiber optical inputs, the Azimut boasts plug and play capabilities with Bluetooth connectivity, USB ports and mini jack input. Thanks to the latest K-array electronic components and chips of the Kommander-KA02 I, this system can be controlled remotely with any software capable of communicating on the network via REST (Representational State Transfer) commands, which is a low-level data transmission system that uses the common HTTP protocol and also via smartphone with compatible Apps easy to connect and use.

This makes the system perfect to be integrated in domotic environments and smart home solutions, compatible with common control systems, like CRESTRON, CONTROL 4, Q-System, and many more. With the Kommander-KA02 I, 4x 50 W @ 4Ω amplifier platform, Azimut became an even more flexible system counting on pristine sound and complete control over the connected loudspeakers and woofers, like Lizard-KZ14 I.

Lizards-KZ14 I, 2x mini line array element with PAT (Pure Array Technology) ideal to fit also in your pocket, with their small but durable and resistant aluminum enclosures, fresh new finishes and their dependable 4x 0.5 high-efficiency driver units with neodymium magnet structures, for maximum excursion and minimal residual noise, give a finest new design to AZIMUT system, integrated with the Rumble-KU44 I, powerful, resistant and compact, aimed to provide the low-end needed in sub and bass range.

Azimut-KAMUT2L II comes not only with a fantastic new blueprint, perfect to be blended into any type of assembly and furniture, but also with more power and features.

This complete system Azimut-KAMUT2LII is our latest solution specific for retails and every kind of sound system installation where elegance is a quality not to be left behind. This is the particular piece of sound designed to perfectly fit in sleek furniture sails.

Sound easily became a distinguishable and indispensable mark for your concept stores and lounges, for your intimate moments at home, thanks to AZIMUT-KAMUT2L II.

- 2 x KZ14 I
- 1 x KU44 I
- 1 x KA02 I
- 1 x K-REMUCTRL
- compact, discreet, minimal visual impact
- remotely controlled and smart apps compatible
- easy to install
- home, retails, restaurants and cafes applications

Azimut-KAMUT2L II comes in these premium colors

Azimut-KAMUT2L II / Black

Azimut-KAMUT2LW / White

Azimut-KAMUT2LX / Custom RAL on request

with this finishes:

24K Gold

Antique Gold

Rose Gold

Polished

All the Azimut-KAMUT2LII components are designed by the K-array R&D department and are custom made under the K-array quality control system in Italy.

# Azimut-KAMUT2L II

## Lyzard-KZ14 I

Technical Specifications	
Type	Line Array
Transducers	4 x 0.5" Neodymium magnet woofers
Frequency Response <sup>1</sup>	500 Hz - 18 kHz (-6 dB)
Max SPL <sup>2</sup>	98 dB (peak)
Coverage	V, 40° I H, 140°
Power Handling	15 W
Nominal Impedance	16 Ω
Connectors	IN + IN- screw terminals

Handling & Finishes	
Material	Aluminum
Color	Black, White, Custom RAL
Finishes	24K Gold, Rose Gold, Antique Gold, Polished
IP Rating	IP64
Dimensions (WxHxD)	22 x 100 x 11 mm (0.9 x 3.9 x 0.4 in)
Weight	0.059 kg (0.130 lb)

<sup>1</sup> With dedicated preset.

<sup>2</sup> Maximum SPL is calculated using a signal with crest factor 4 (12dB) measured at 8 m then scaled at 1 m.

## Rumble-KU44-2 I

Technical Specifications	
Type	Passive subwoofer
Transducers	2x 4" neodymium magnet woofers 2x 4" passive radiators
Frequency Response <sup>1</sup>	45 Hz - 150 Hz / 500 Hz (-6 dB)
Max SPL <sup>2</sup>	116 dB (peak)
Coverage	Omni
Power Handling	120 W
Nominal Impedance	2 Ω
Connectors	4PIN euroblock connector (included)

Handling & Finishes	
Material	Stainless Steel
Color	Black, White, Custom RAL
Finishes	24K Gold, Polished, Brushed
Dimensions (WxHxD)	500 x 116 x 100 mm (19.7 x 4.6 x 4.0 in) <sup>3</sup>
IP Rating	IP64 <sup>4</sup>
Weight	5.9 kg (13.0 lb)

<sup>1</sup> With dedicated preset.

<sup>2</sup> Maximum SPL is calculated using a signal with crest factor 4 (12dB) measured at 8 m then scaled at 1 m.

<sup>3</sup> Removable rubber feet not included.

<sup>4</sup> More complete water protection with K-KUIP4 accessory

## Kommander-KA02 I

Technical Specifications	
Type	4ch switching mode, Class D Amplifier
Output Power <sup>1</sup>	4 x 500 W @ 4 Ω
Frequency Response	20 Hz - 20 kHz (±1 dB)
Built-in DSP	Grouping, equalization, limiters, routing, level, loudspeaker presets
MAINS operating range	Dedicated AC/DC power adapter 100-240V ~ AC, 50-60Hz input / 24V, 4 A
Impedance	minimum 4 Ω (2 Ω PBTL)
Protections	Over Temp. (Power Limiting - Thermal Shutdown), Short Circuit/ Overload Output Protection, Power Limiting, Clip Limiter/ Permanent Signal Limiter, High Frequency Protection
Power Consumption	20 W @ 4 Ω load, 1/8 Rated Power (Pink Noise)

Handling & Finishes	
Material	Aluminum
Color	Black
IP Rating	IP20
Dimensions (WxHxD)	219 x 46 x 170 mm (8.6 x 1.8 x 6.7 in)
Weight	0.7 kg (8.37 lb)

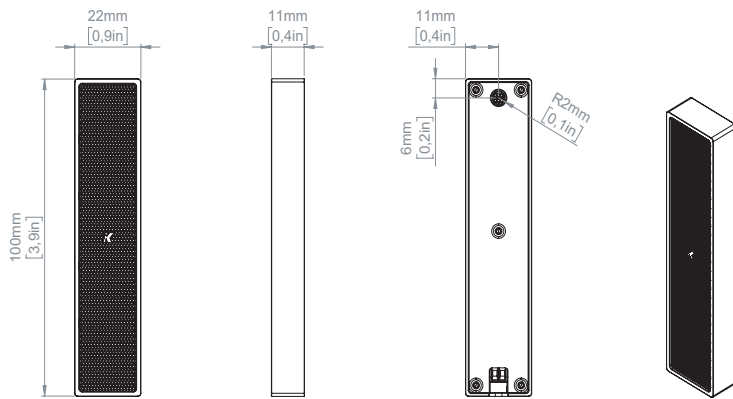
<sup>1</sup> EIAJ test standard

Notes:  
Passive loudspeakers require dedicated presets loaded onboard K-array amplifiers.  
New materials and designs are introduced into existing products without previous notice.  
Present systems may differ in some respects from those presented in this catalog.

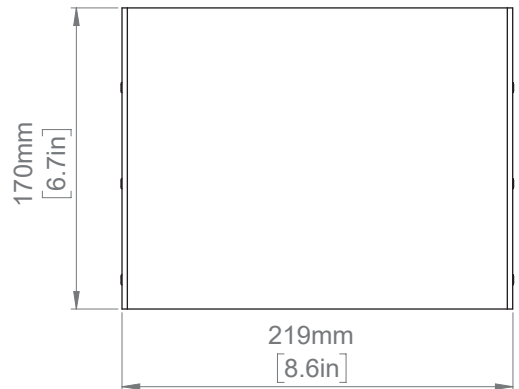
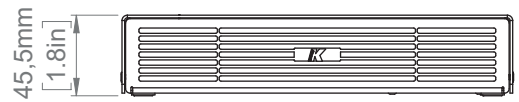
Connections and Remote Control	
Input	4x BAL input: Euroblock 1.5/ 3-ST-3.81, 3.5 mm jack unBAL analog stereo input, AUX input, TOSLINK optical input
Output	2x Euroblock 2.5/ 4-G-5,08
Digital	4x USB-A 2.0, 1x RJ45 Ethernet, Bluetooth 4.1 Low Energy, Wi-Fi IEEE 802.11 b/g/n
Remote Control	Wi-Fi dedicated K-array Connect mobile app Ethernet wired K-framework3 multiplatform design and tuning software
Compatible Control Systems	CRESTRON, CRESTRON HOME, Q-SYS, CONTROL4, AMX by HARMAN



## Lyzard-KZ14 I



## Kommander-KA02 I



## Rumble-KU44-2 I

